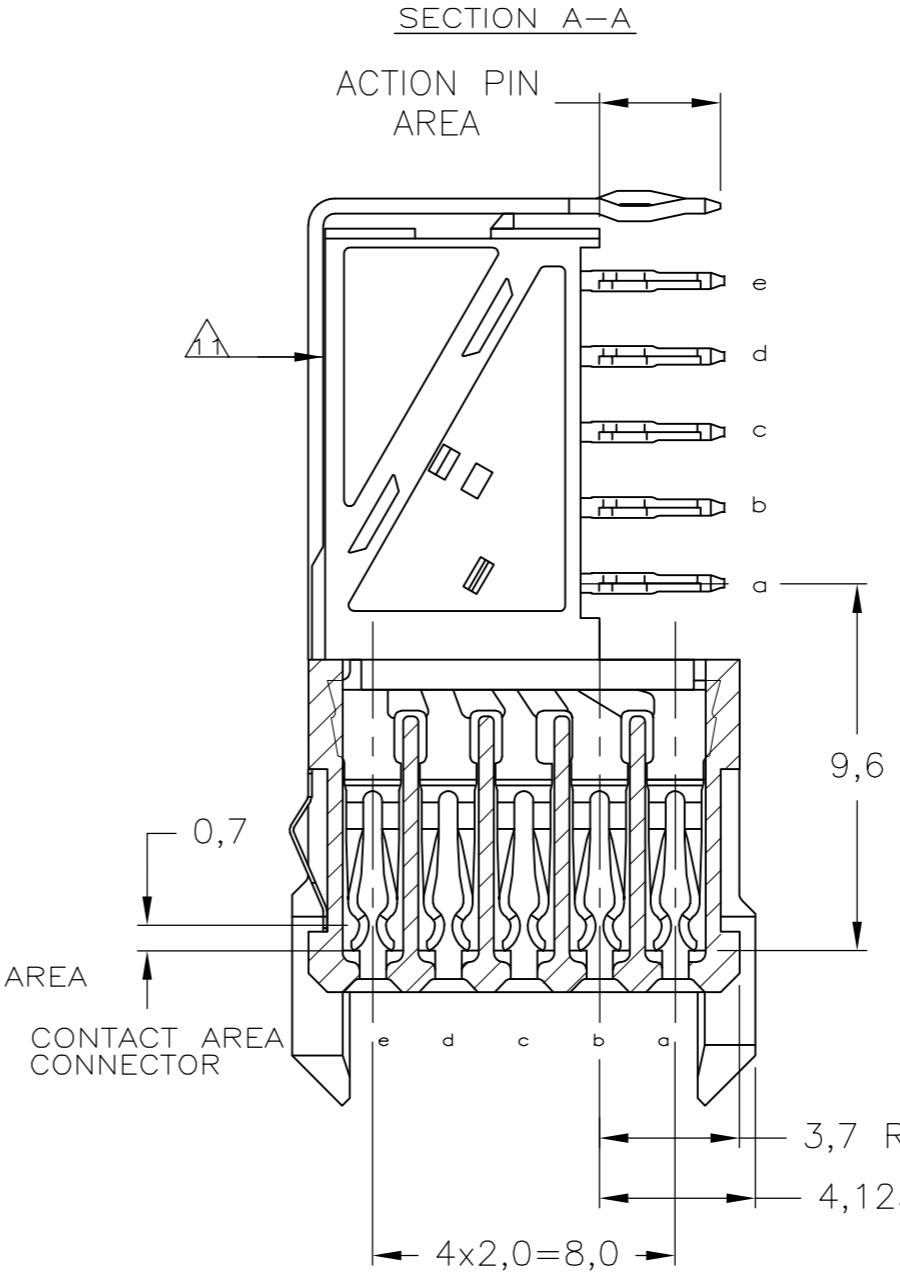
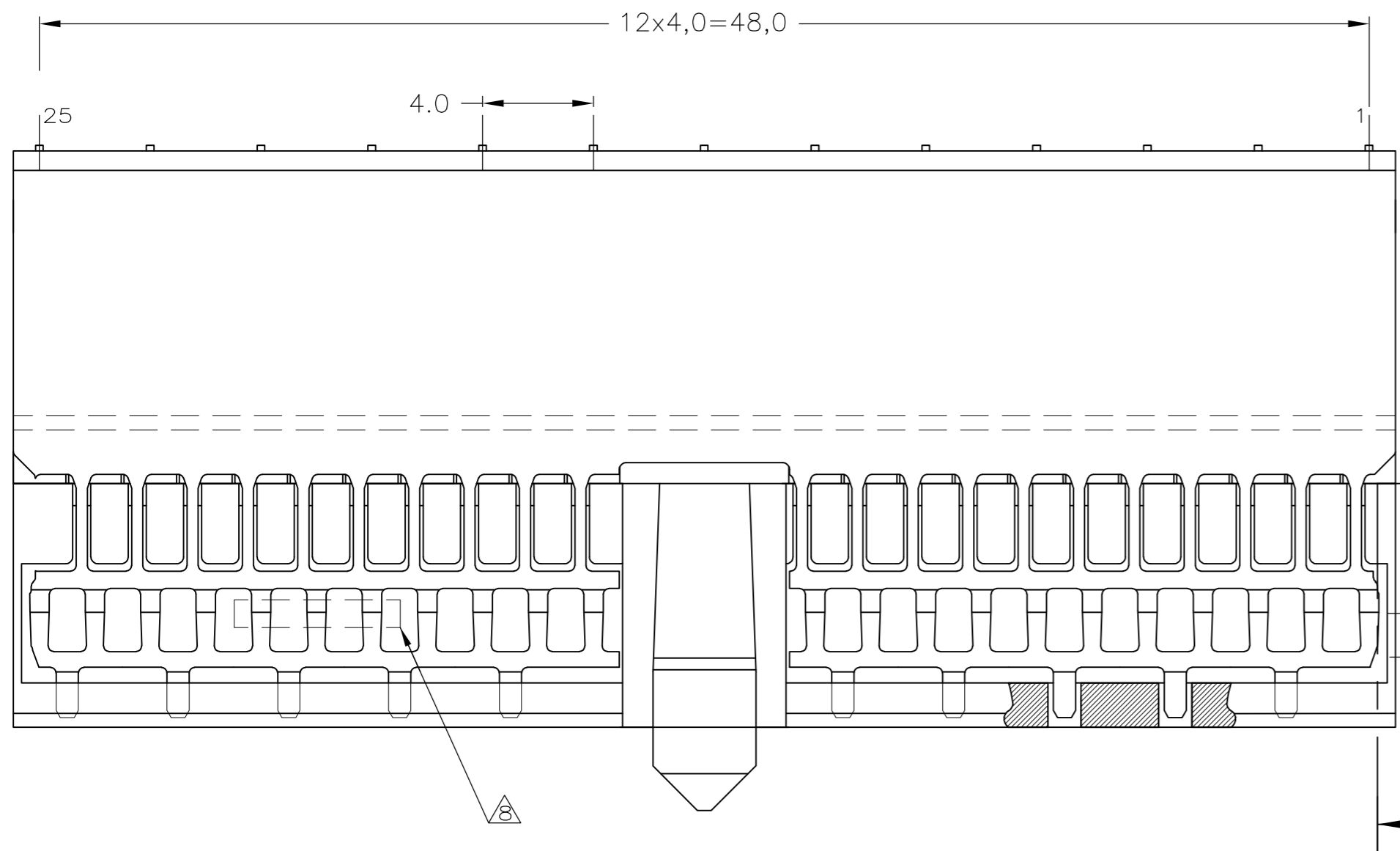
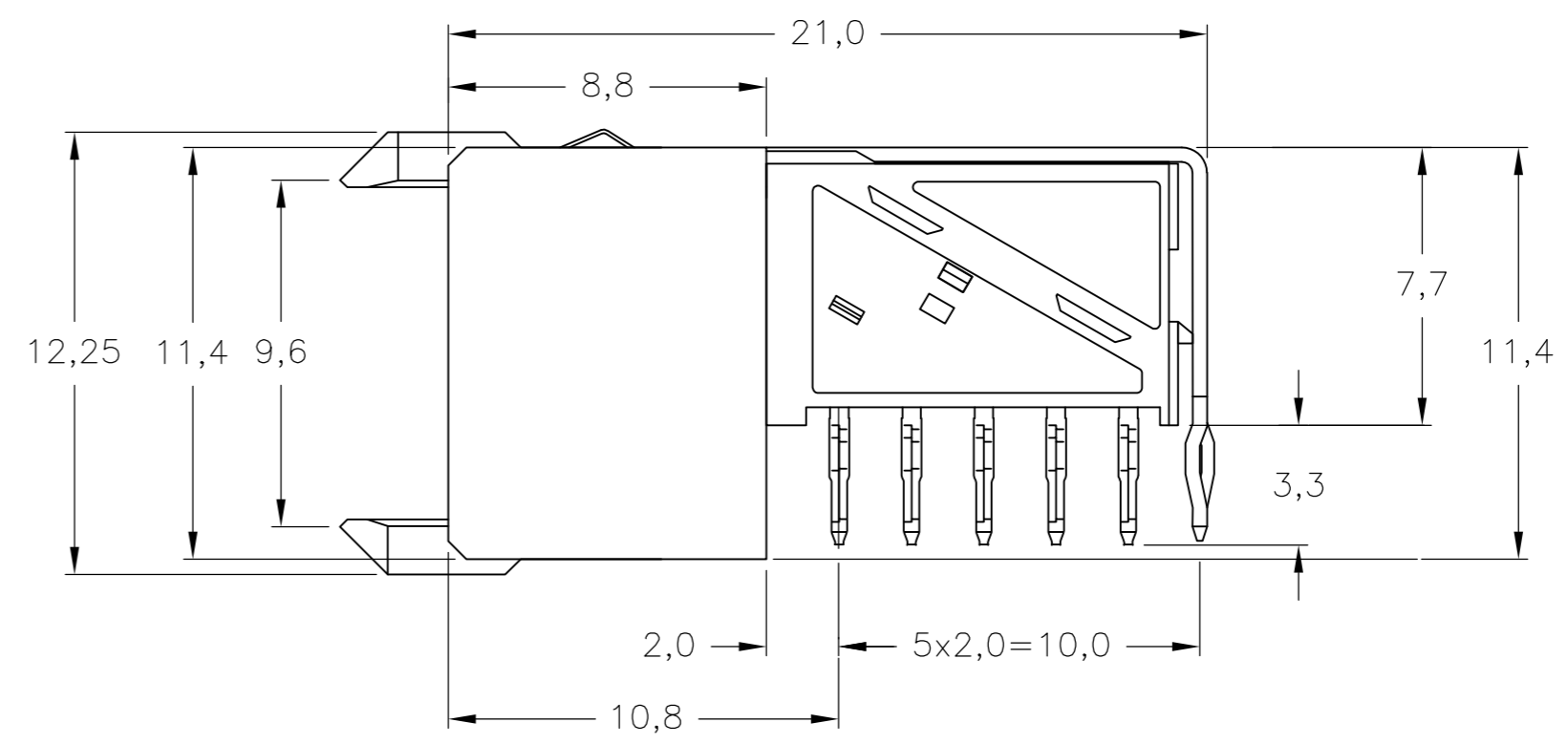
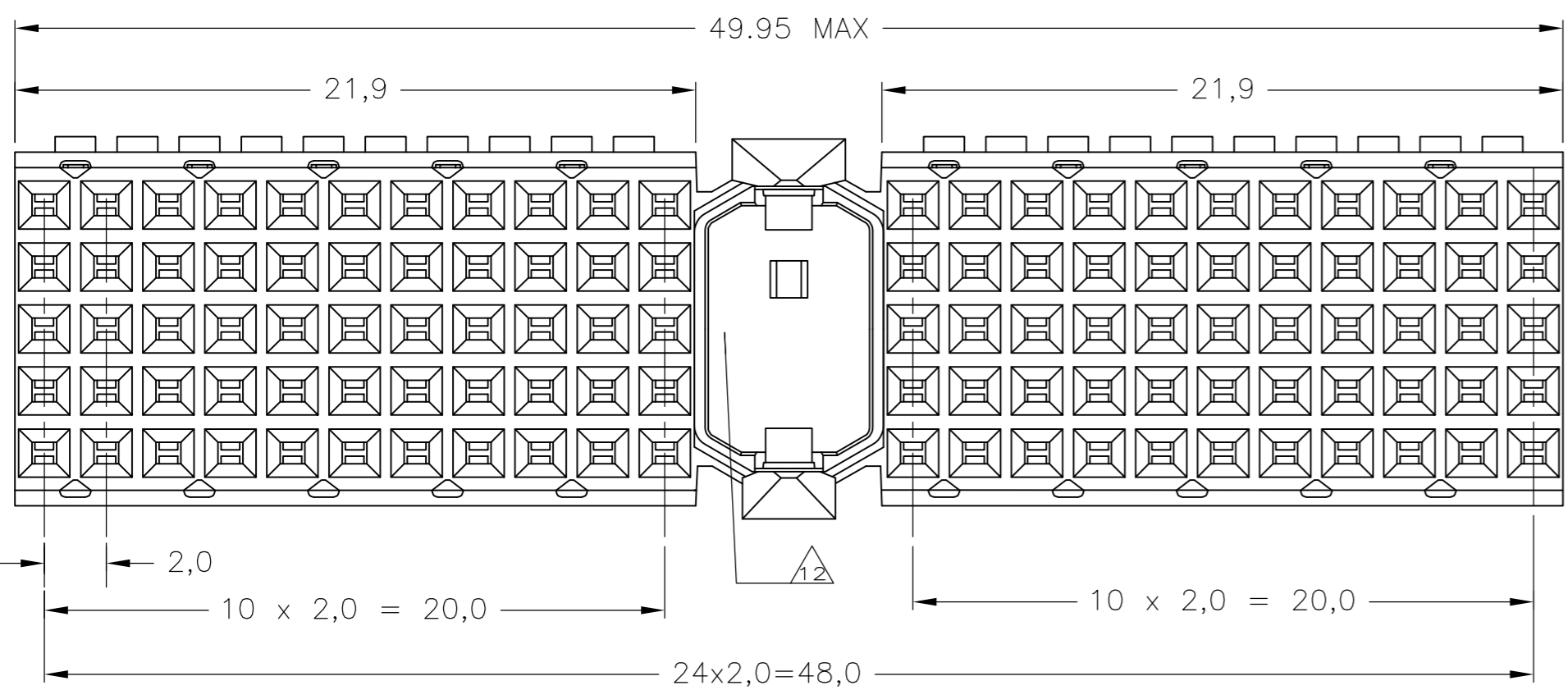


THIS DRAWING IS UNPUBLISHED. RELEASED FOR PUBLICATION  
 © COPYRIGHT - By - ALL RIGHTS RESERVED.

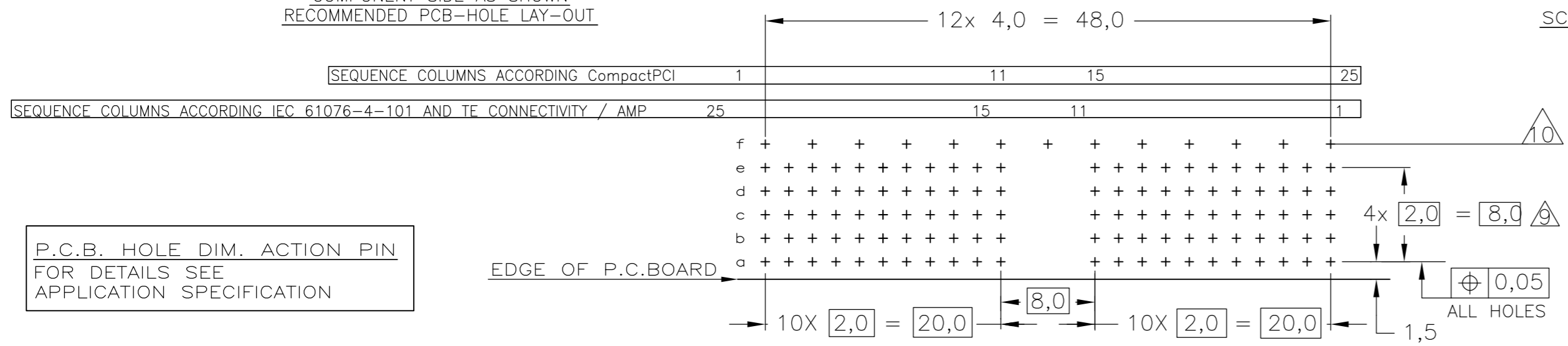
LOC		DIST		REVISIONS			
P	LTR	DESCRIPTION		DATE	DWN	APVD	
H	-	F	REVISED PER ECO-13-014710	08NOV2013	SY	FY	



- NOTES:
- △ MATERIAL CONTACTS; PHOSPHORBRONZE
  - △ MATERIAL HOUSING; GLASSFILLED POLYESTER (GRAY)
  - △ GENERAL PLATING SPECIFICATION: UNDERPLATING (ENTIRE CONTACT): 1,27µm NICKEL MIN. AND ACTION PIN: 0,5µm TIN MIN. FOR PLATING OF MATING SURFACES SEE APPLICABLE SPECIFICATION REFERENCE FOR EACH DASH NUMBER.
  - △ CONFORMS TO ALL TESTING ACCORDING IEC 61076-4-101 PERFORMANCE LEVEL 2.
  - △ CONFORMS TO ALL TESTING ACCORDING IEC 61076-4-101 PERFORMANCE LEVEL 1.
  - △ CONNECTOR TESTED AND QUALIFIED AGAINST TELCORDIA GR-1217-CORE QUALITY LEVEL III, CENTRAL OFFICE APPLICATIONS. CONNECTOR LUBRICATED WITH TELCORDIAGR-1217-CORE APPROVED LUBRICANT.
  - △ ASSEMBLY PRINTED WITH P/N AND DATECODE
  - △ THE MARKING CAN APPEAR ON THE FRONT SIDE OR BACK SIDE.
  - △ HOLE PATTERN FOR FEMALE CONNECTOR TYPE A
  - △ 110 PLATED-THROUGH HOLES AT 2x2mm SQUARE GRID
  - △ ROW "f" 13 PLATED THROUGH HOLES FOR UPBERSHIELD
  - △ SHIELD MOUNTED ON CONNECTOR WITH DOUBLE SIDED ADHESIVE TAPE OR ADHESIVE
  - △ AREA RESERVED FOR KEYING PART (BASIC P.N. 100526)
  - △ 13 BASIC P.N. LOWERSHIELD: 5338108
  - △ 0.76µm MIN GOLD PLATING AT MATING SURFACE



COMPONENT SIDE AS SHOWN  
 RECOMMENDED PCB-HOLE LAY-OUT



SCALE 2,5:1

FINISH	MATERIAL	PART NUMBER
△△△	△	3-5352068-0
△△△	△	5352068-9
△△	△	5352068-4
△△	△	5352068-1

THIS DRAWING IS A CONTROLLED DOCUMENT.		DWN K.N.KIRAN 18AUG2004	TE Connectivity	
DIMENSIONS: mm		CHK B.MOOIJ 24SEP2004	Z-PACK 2mm HM TYPE A - 25 COLUMNS PRE-SHIELDED RECEPTACLE	
TOLERANCES UNLESS OTHERWISE SPECIFIED:		APVD B.MOOIJ 24SEP2004	NAME	
6-PLC ±		PRODUCT SPEC	SIZE	
1-PLC ±		108-19082	CAGE CODE	
2-PLC ±		APPLICATION SPEC	DRAWING NO	
3-PLC ±		114-19029	RESTRICTED TO	
4-PLC ±		WEIGHT	SCALE	
ANGLES ±		-	5:1	
FINISH		-	SHEET	
MATERIAL		-	1 OF 1	
CUSTOMER DRAWING		A2 00779 C=5352068		REV
		F		